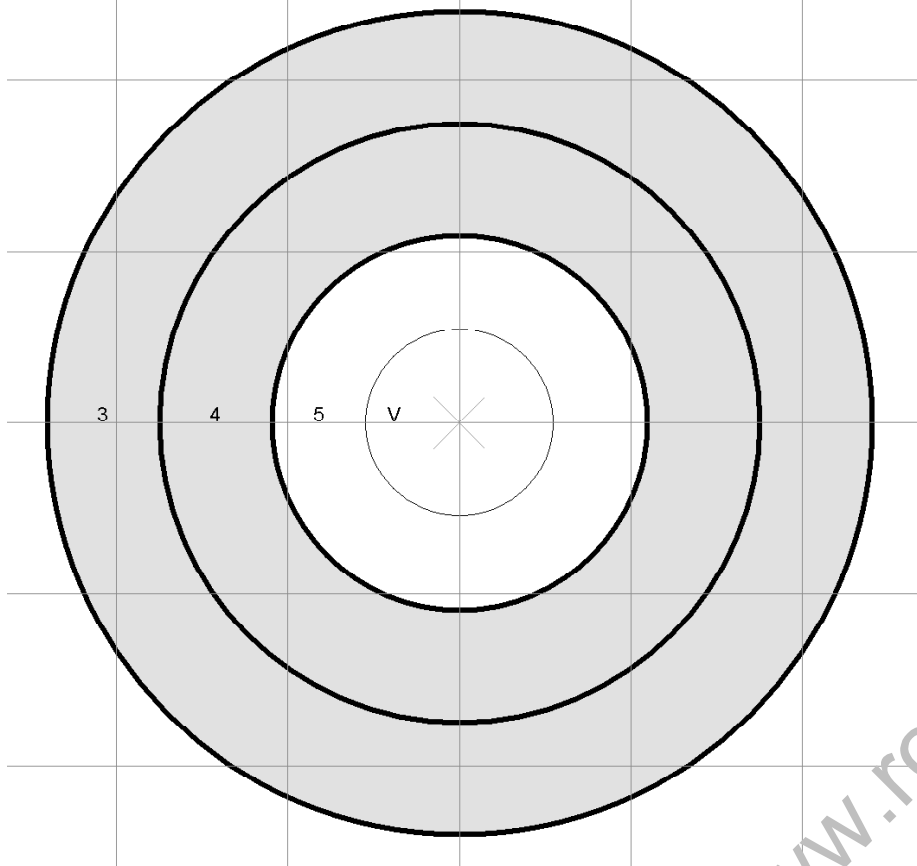


800 meters Data _____

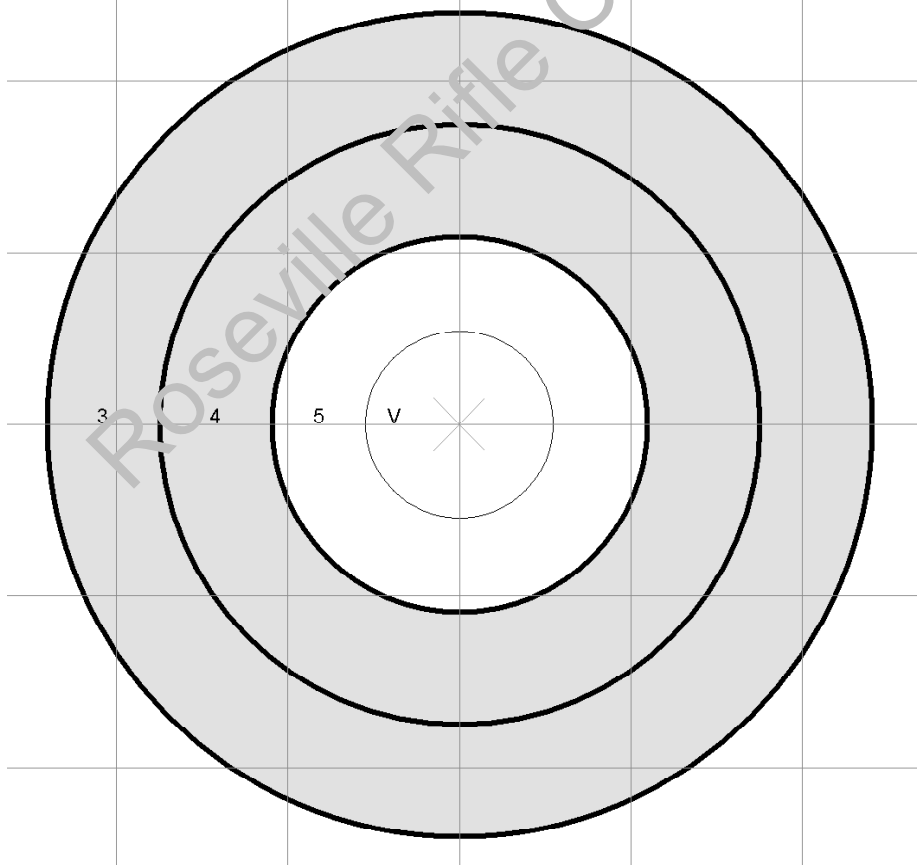
Start elev_{25.0} _____ Start Wind _____ Fsdia_{4.6} _____ +EE05, Rsdia_{1.0} _____



Finish elev _____ Finish wind _____

800 meters

Start elev_{25.0} _____ Start Wind _____ Fsdia_{4.6} _____ +EE, Rsdia_{1.0} _____



Finish elev _____ Finish wind _____

	↑	↔	wnd	rslt
ST				
A				
B				
1				
2				
3				
4				
5				
6				
7				
8				
9				
10				

	↑	↔	wnd	rslt
ST				
A				
B				
1				
2				
3				
4				
5				
6				
7				
8				
9				
10				