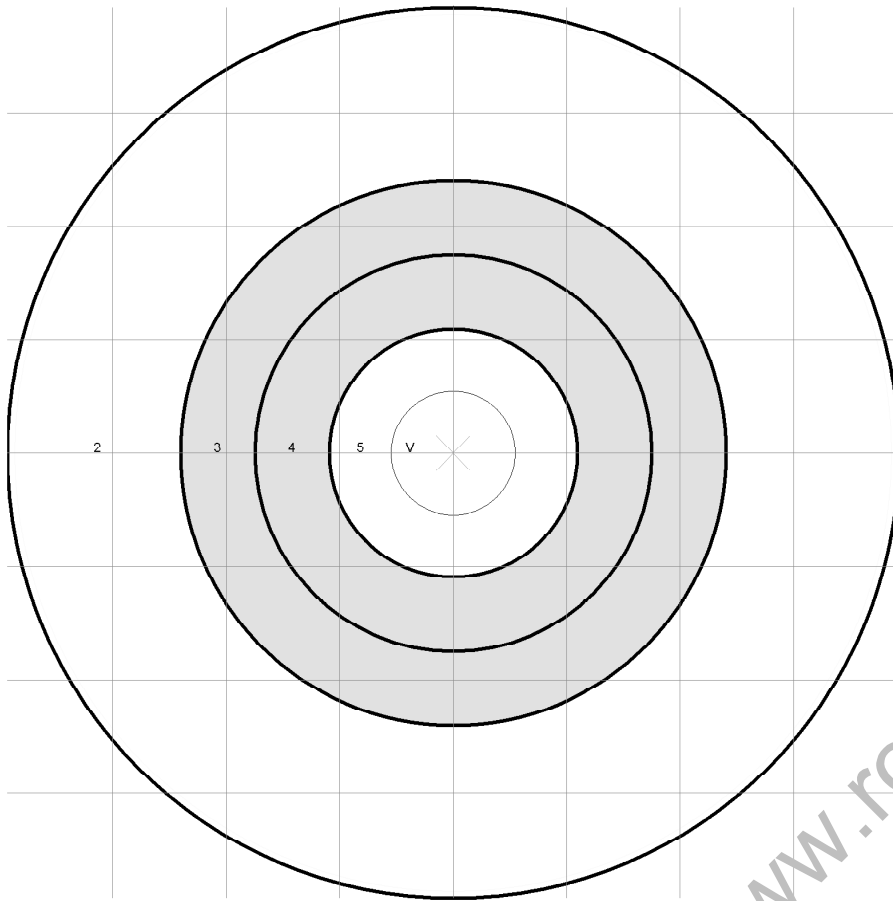


800 meters Data \_\_\_\_\_

Start elev<sub>25.0</sub> \_\_\_\_\_ Start Wind \_\_\_\_\_ Fsdia<sub>4.6</sub> \_\_\_\_\_ +EE05, Rsdia<sub>1.0</sub> \_\_\_\_\_

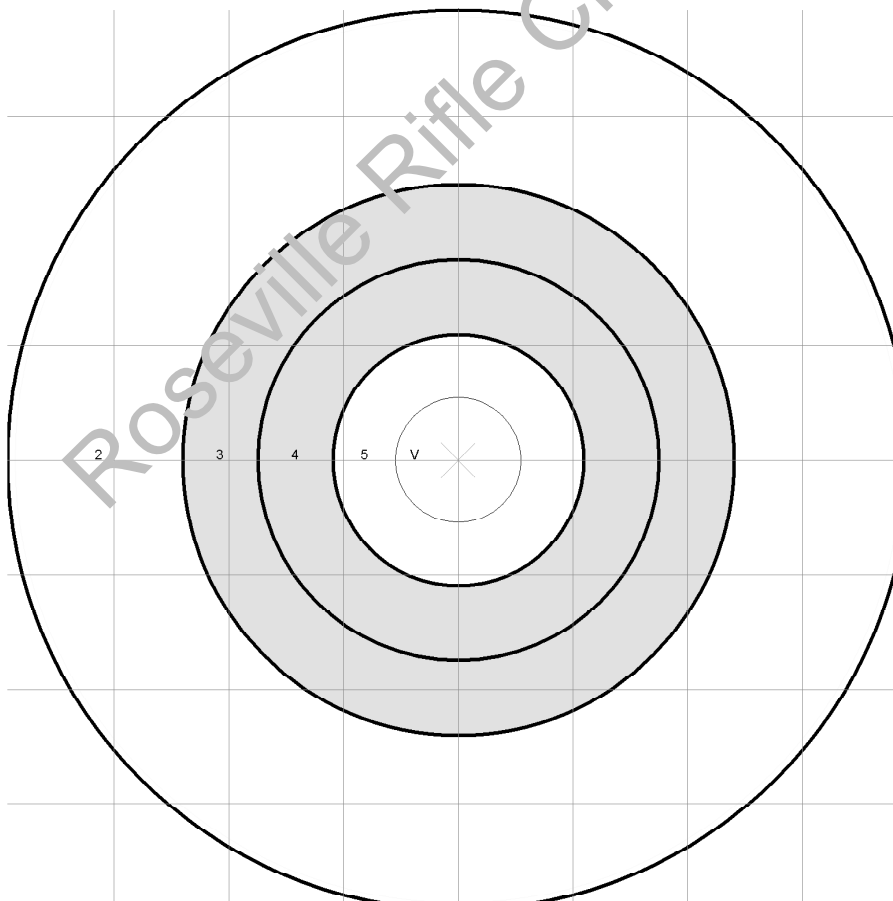


Finish elev \_\_\_\_\_ Finish wind \_\_\_\_\_

	↑	↔	wnd	rslt
ST				
A				
B				
1				
2				
3				
4				
5				
6				
7				
8				
9				
10				

800 meters

Start elev<sub>25.0</sub> \_\_\_\_\_ Start Wind \_\_\_\_\_ Fsdia<sub>4.6</sub> \_\_\_\_\_ +EE, Rsdia<sub>1.0</sub> \_\_\_\_\_



Finish elev \_\_\_\_\_ Finish wind \_\_\_\_\_

	↑	↔	wnd	rslt
ST				
A				
B				
1				
2				
3				
4				
5				
6				
7				
8				
9				
10				